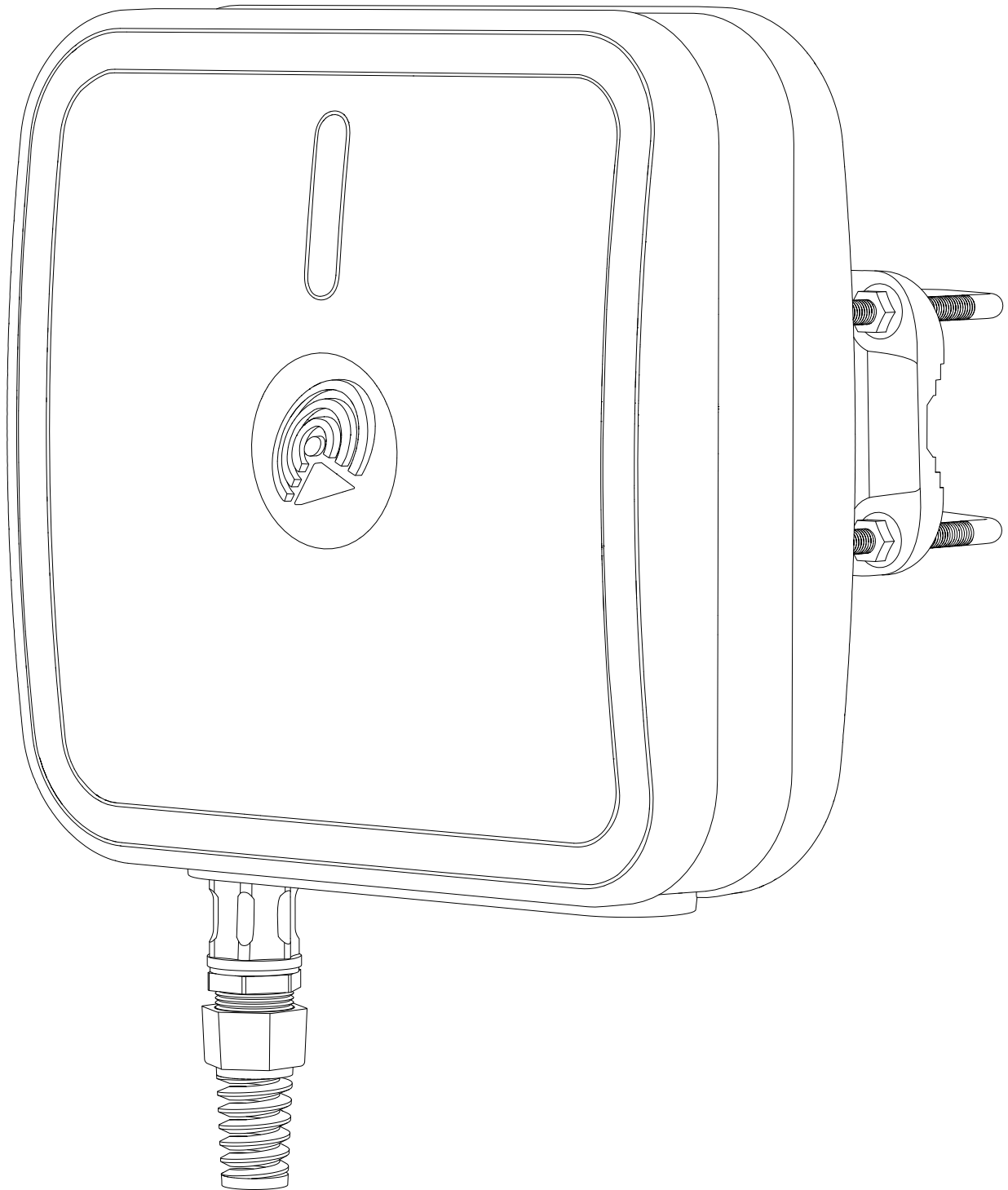


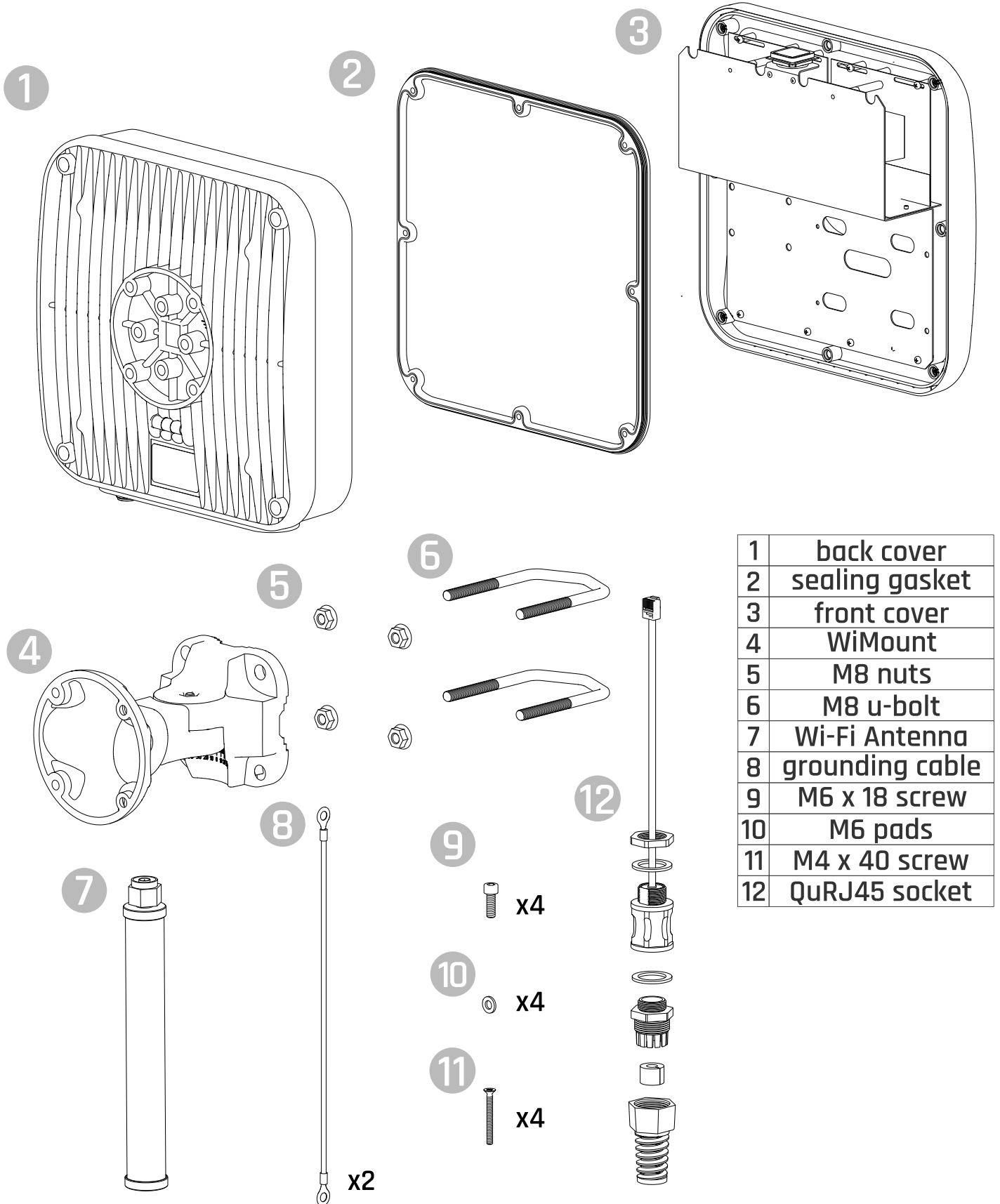
Quick Installation Guide

Antenna QuMax for Teltonika

RUT260, RUT241, RUT240, RUT230, RUT200

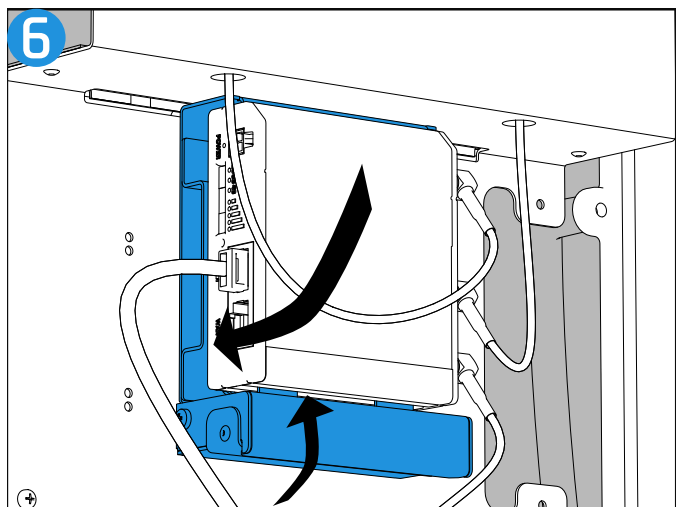
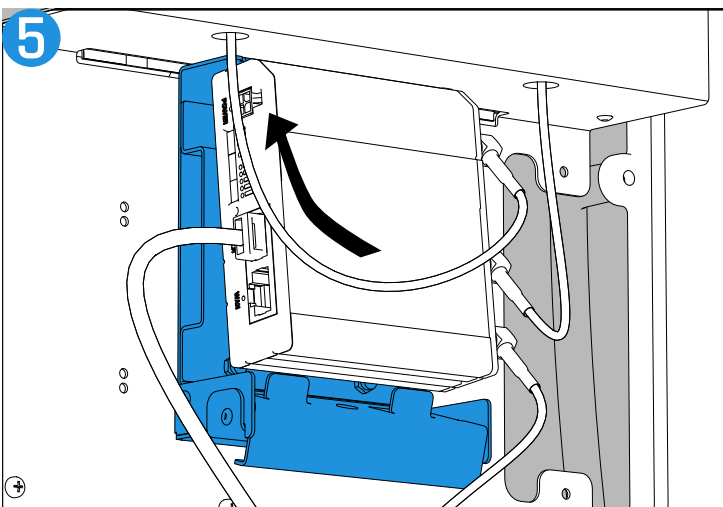
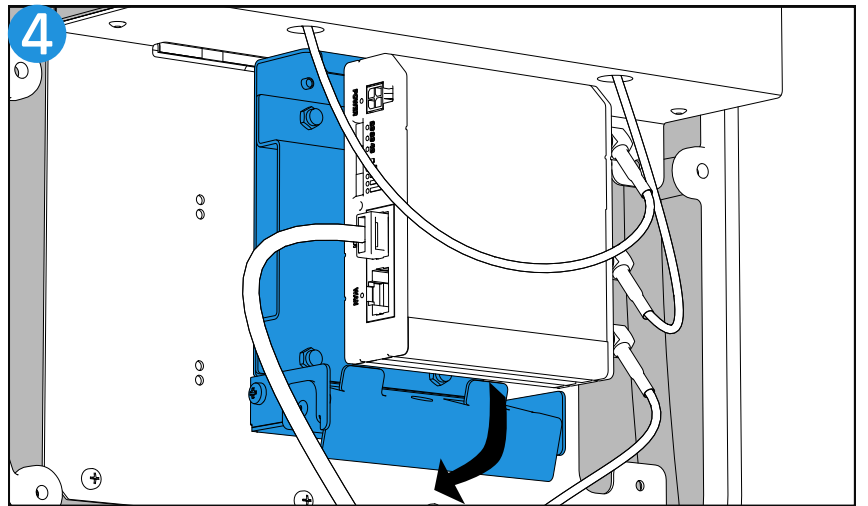
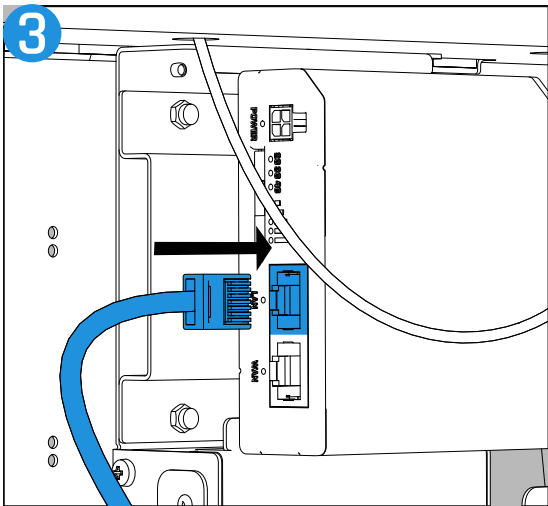
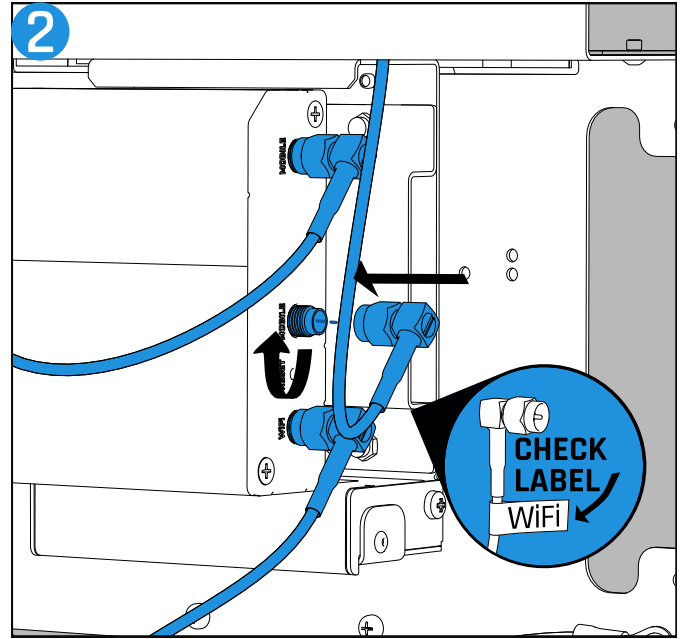
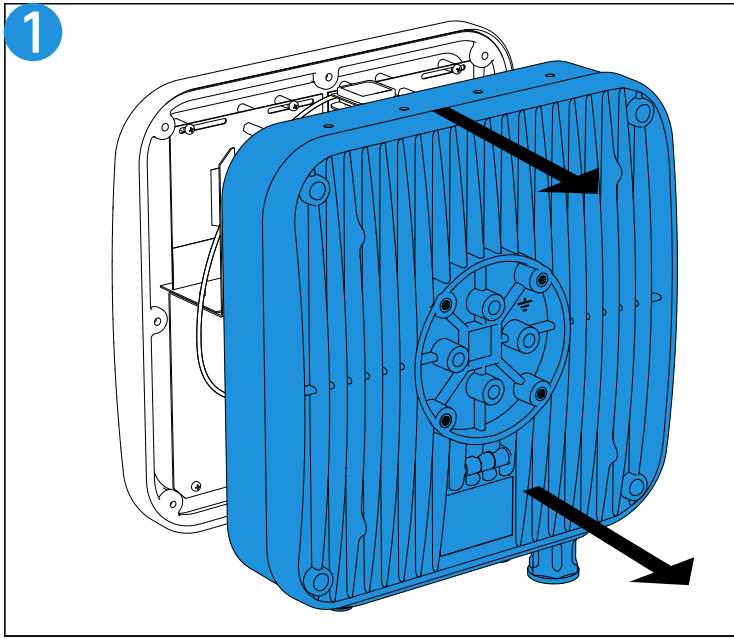


What's inside

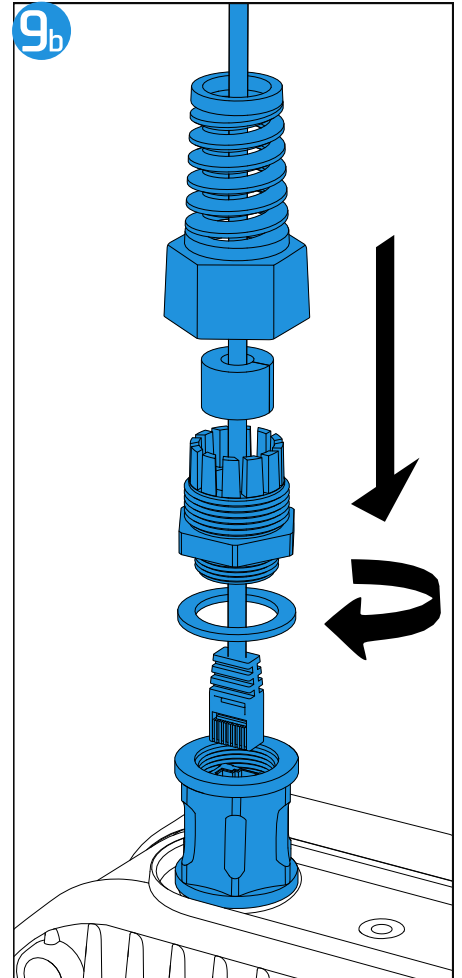
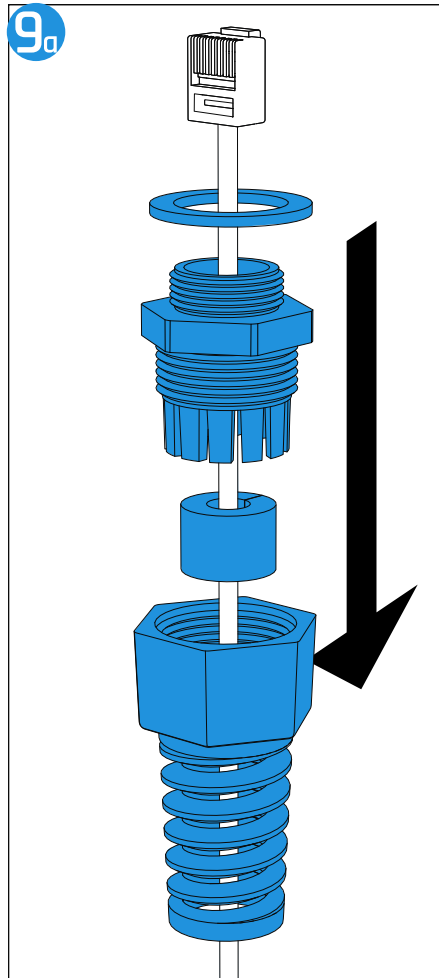
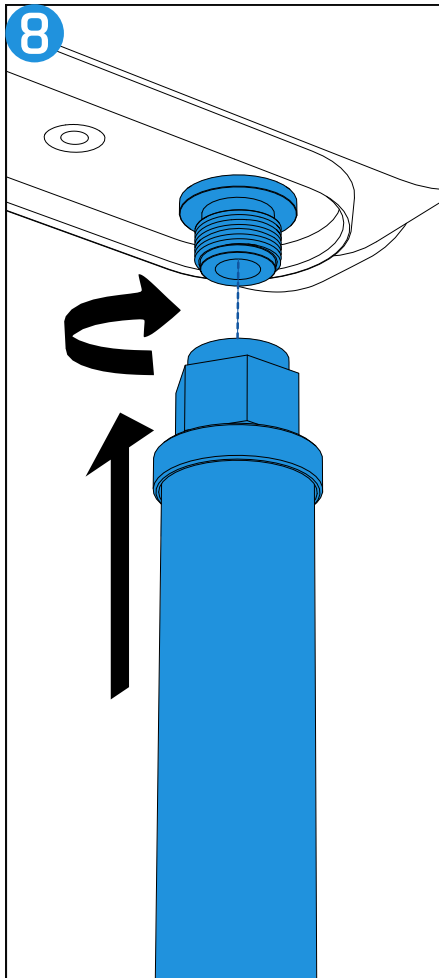
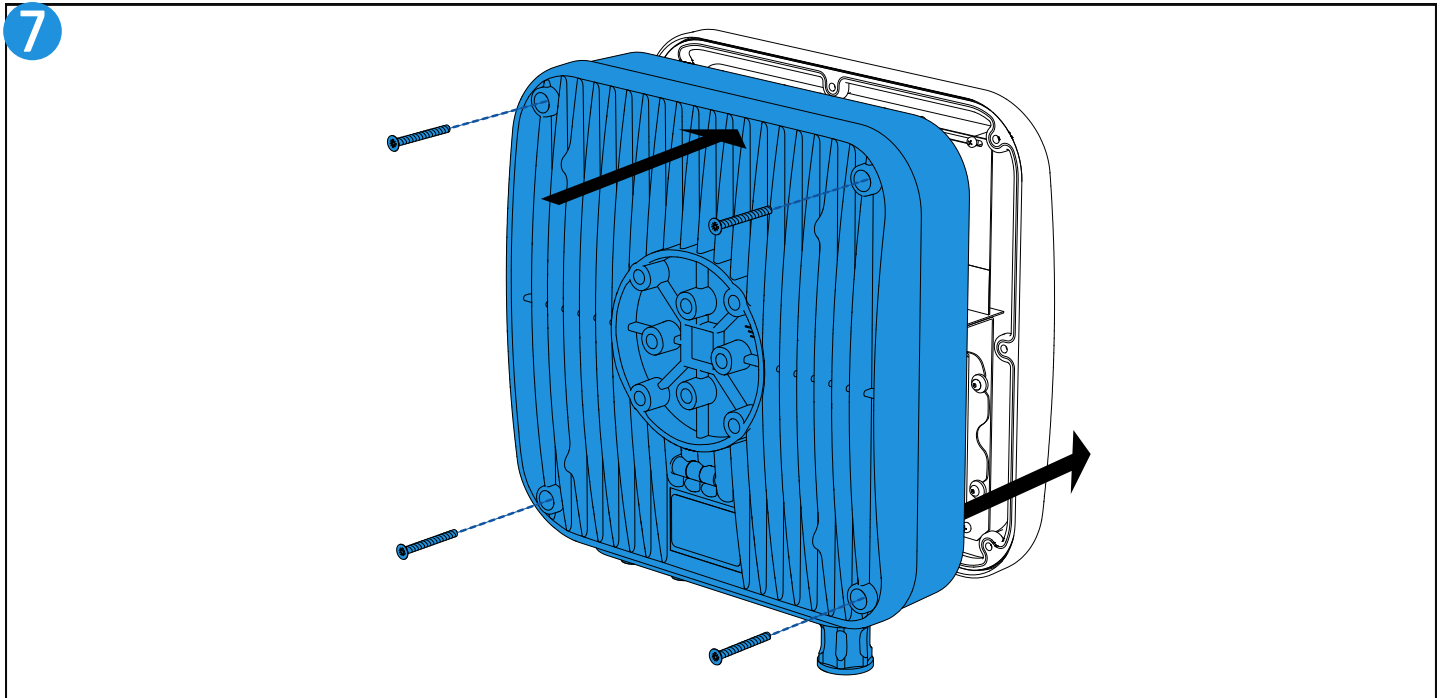


1	back cover
2	sealing gasket
3	front cover
4	WiMount
5	M8 nuts
6	M8 u-bolt
7	Wi-Fi Antenna
8	grounding cable
9	M6 x 18 screw
10	M6 pads
11	M4 x 40 screw
12	QuRJ45 socket

Antenna Installation

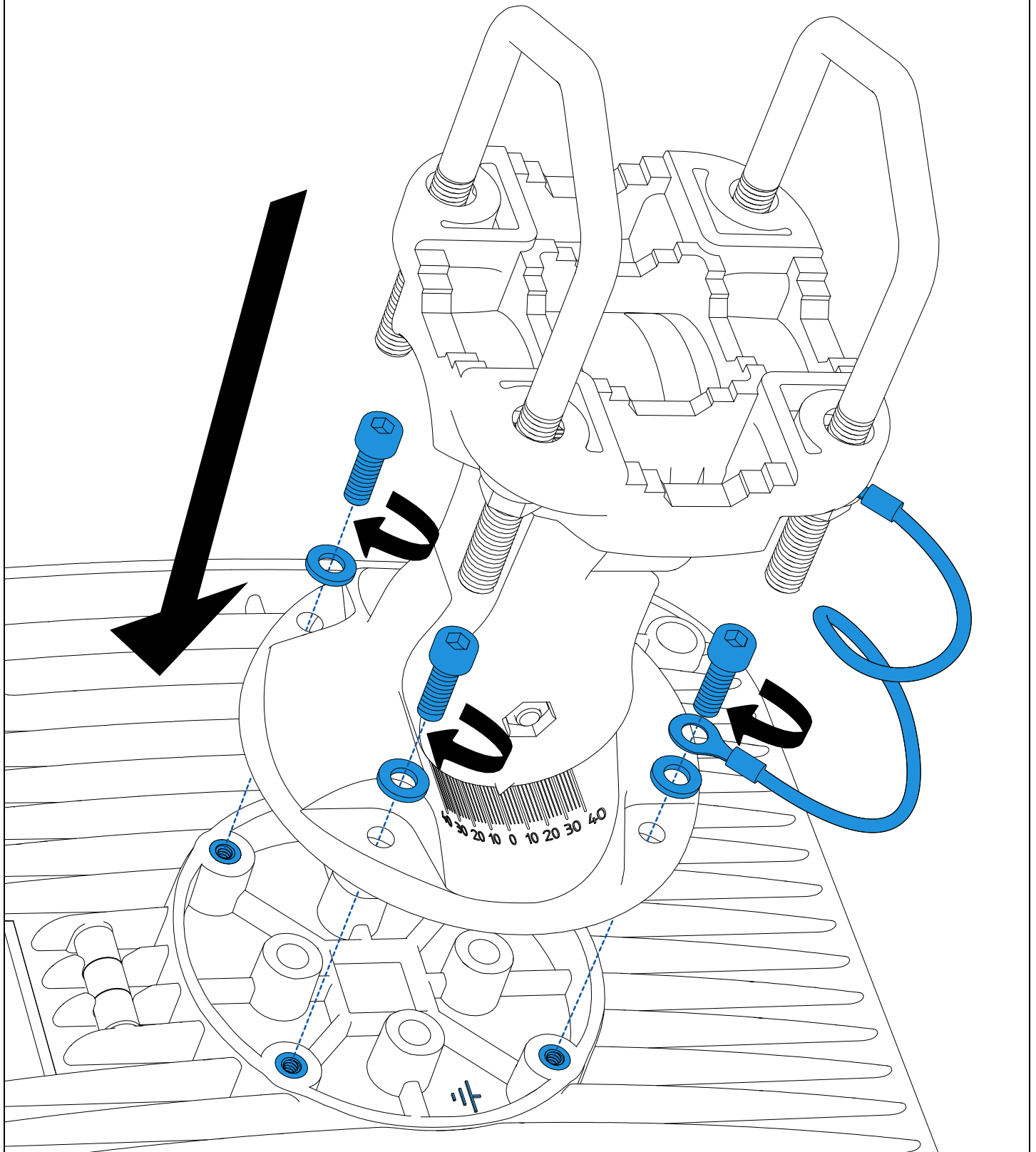


Antenna Installation



WiMount Installation

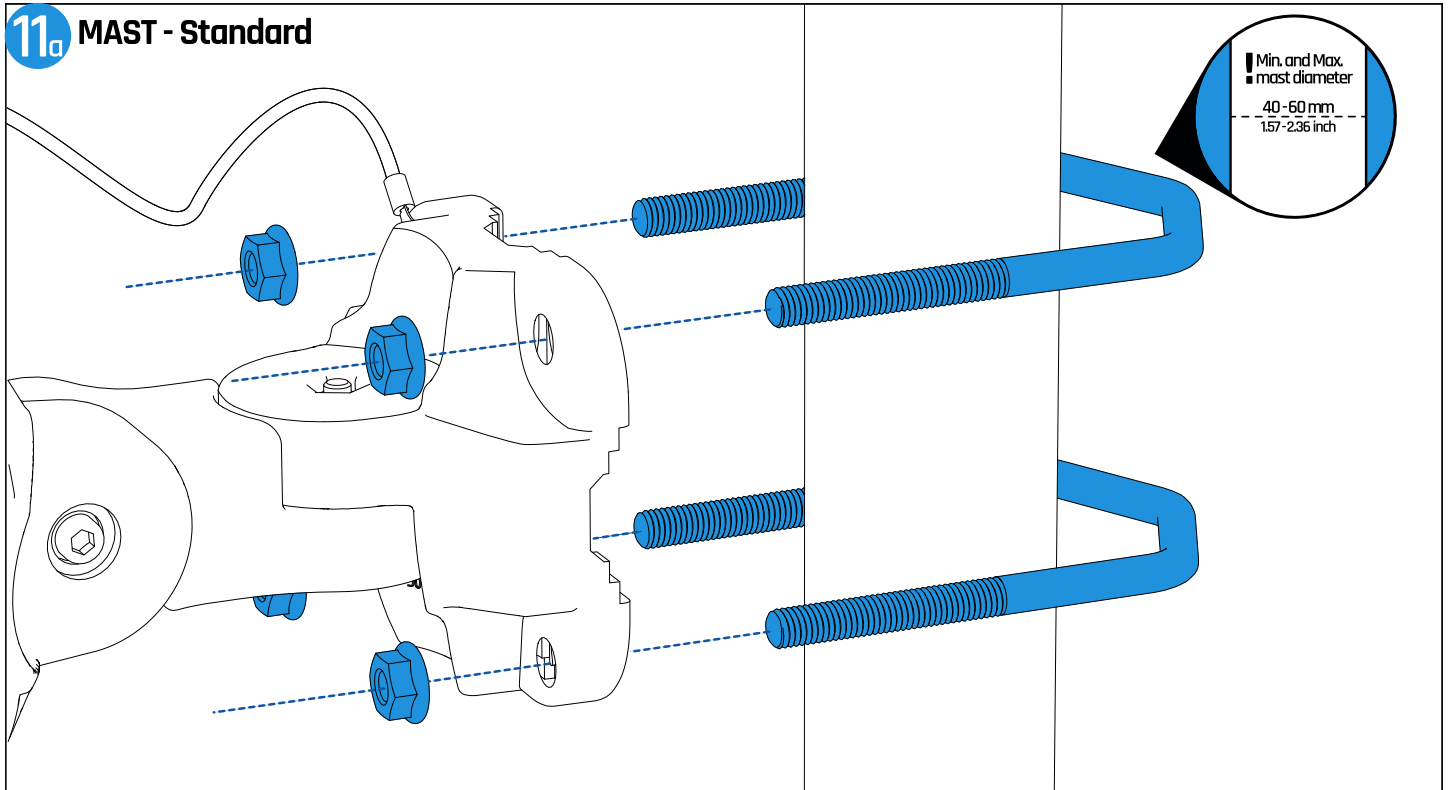
10



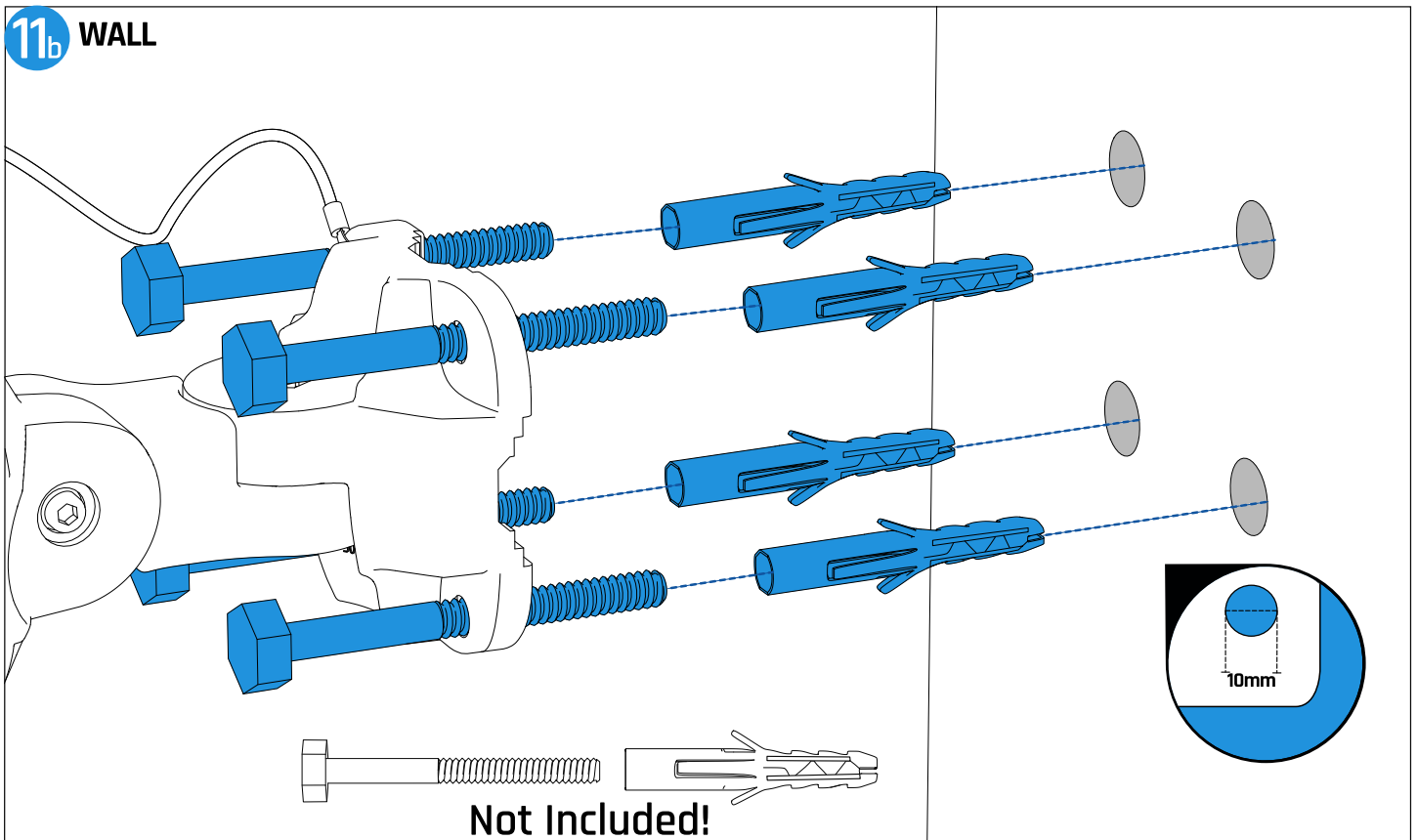
Mast and Wall Installation



11a MAST - Standard



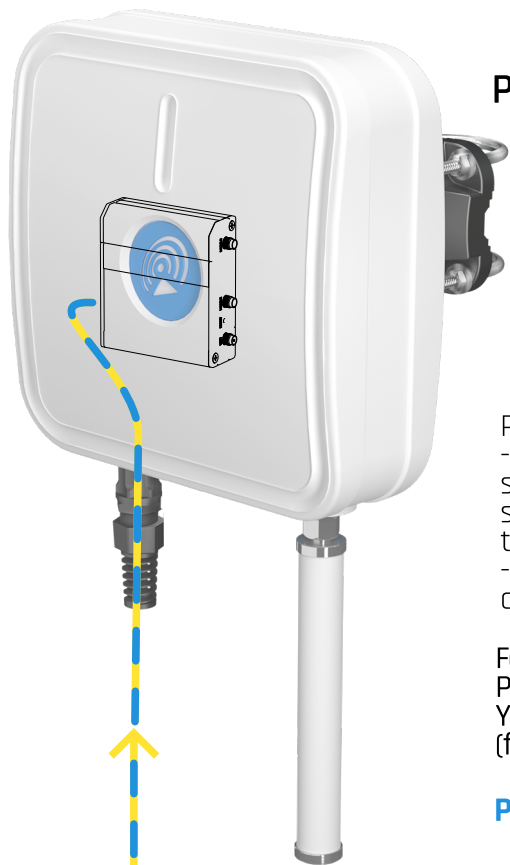
11b WALL



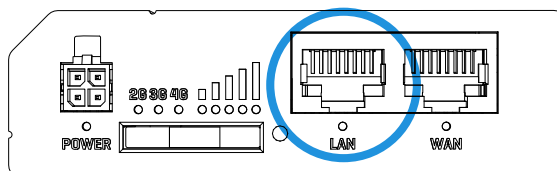
Power Supply Installation



10a POE Power Supply - STANDARD



Please note that Teltonika routers only support Passive PoE on the LAN1 port

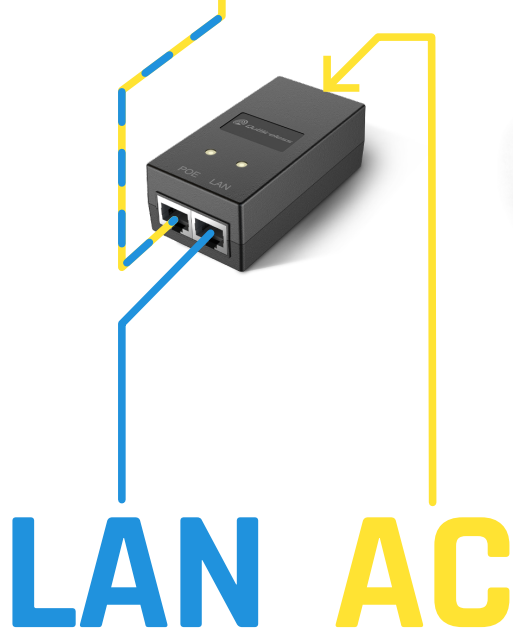


Please note that:

- Teltonika routers are NOT COMPLIANT with the IEEE 802.3af-2003 standard; powering the device from an IEEE 802.3af-2003 power supply will damage the device as it is not rated for input voltages of the PoE standard.
- Teltonika routers NOT COMPLIANT with the IEEE 802.3at standard; it cannot power other devices over Ethernet.

For power supply, you can use any Gigabit (not Gigabit for RUT series) Passive PoE power supply with a voltage of 9-30VDC. You can use, for example, a power supply from our offer: [QuPSU GP241](#) (for RUT series: [QuPSU P248](#))

Please note that the Passive PoE power supply is not included.



QuPSU-GP241E

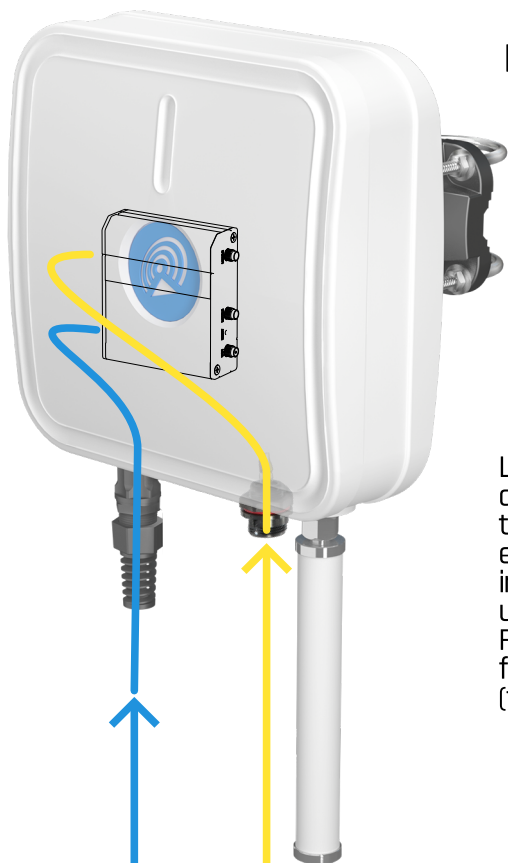


QuPSU-P248E

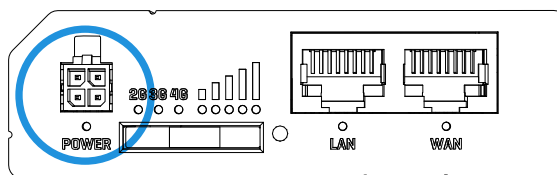
Power Supply Installation



10_b DC Power Supply - OPTIONAL



Please note that for Teltonika RUTX series, the DC power source ranges from 9 to 50 VDC, while for the RUT series it is 9 to 30 VDC.



Low-voltage DC power source is used for installations in vehicles, boats and other locations where such a source already exists. This allows you to directly power a device from the vehicle. This is a practical and cost-effective solution that ensures reliability and simplifies the use of power in these locations. You can also power the router by VDC power supply unit (PSU).

For using DC power supply you will need, for example, a power socket from our offer: **QuPS4** (for two-pin power socket devices we also have: **QuPS2**)

Please note that the Power Socket is not included.



LAN **DC**

