



5G CPE

UF51

Quick Start Guide



Safety Precautions

Milesight will not shoulder responsibility for any loss or damage resulting from not following the instructions of this operating guide.

- The device must not be modified in any way.
- Do not place the device close to objects with naked flames.
- Do not place the device where the temperature is below/above the operating range.
- Do not power on the device or connect it to other electrical device when installing.
- Check lightning and water protection when used outdoors.
- Do not connect or power the equipment using cables that have been damaged.

Related Documents

This Start Guide only explains the installation of Milesight UF51 CPE. For more functionality and advanced settings, please refer to the relevant documents as below.

Document	Description
UF51 Datasheet	Datasheet for UF51 5G CPE.
UF51 User Guide	Users can refer to the guide for instruction on how to log in the web GUI, and how to configure all the settings.

The related documents are available on Milesight website: <https://www.milesight-iot.com>

Declaration of Conformity

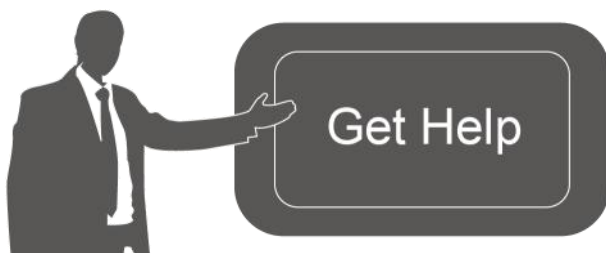
UF51 are in conformity with the essential requirements and other relevant provisions of the CE, FCC, and RoHS.



© 2011-2022 Xiamen Milesight IoT Co., Ltd.

All rights reserved.

All information in this guide is protected by copyright law. Whereby, no organization or individual shall copy or reproduce the whole or part of this user guide by any means without written authorization from Xiamen Milesight IoT Co., Ltd.



For assistance, please contact

Milesight technical support:

Email: iot.support@milesight.com

Support Portal: support.milesight-iot.com

Tel: 86-592-5085280

Fax: 86-592-5023065

Address: Building C09, Software Park III, Xiamen
361024, China

Revision History

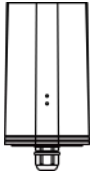
Date	Doc Version	Description
July 28, 2021	V 1.0	Initial version
Dec. 1, 2021	V 1.1	Update cellular pictures
Oct. 31, 2022	V 1.2	1. Delete Ethernet cable 2. Loggin page update

Contents

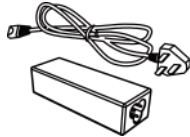
1. Packing List	5
2. Hardware Introduction	6
2.1 Overview	6
2.2 Dimensions	6
2.3 Serial & IO & Power Pinouts	7
2.4 LED Indicators	7
2.5 Reset Button	8
3. Power Supply	9
4. Hardware Installation	10
4.1 SIM Card Installation	10
4.2 Waterproof Cover & Ethernet Cable Installation	10
4.3 Device Installation	11
4.3.1 Desktop	11
4.3.2 Wall Mounting	11
4.3.3 Pole Mounting	12
5. Log in the Web GUI	14
5.1 Wireless Access	14
5.2 Wired Access	15
6. Network Configuration	18
6.1 Ethernet WAN Configuration	18
6.2 Cellular Connection Configuration	18
6.3 Wi-Fi Configuration	20

1. Packing List

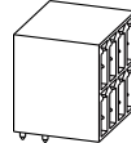
Before you begin to install the UF51, please check the package contents to verify that you have received the items below.



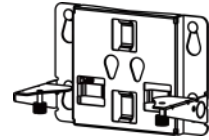
1 × UF51



1 × PoE Injector



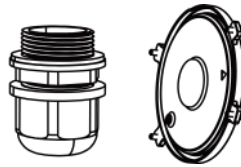
1 × 8-Pin Pluggable
Terminal



1 × Mounting Bracket



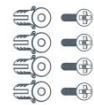
4 × Rubber Feet



1 × Bottom Cover
with Cable Gland



1 × Waterproof
Rubber Ring



4 × Wall Mounting Kits



2 × Hose Clamps



1 × Quick Start Guide



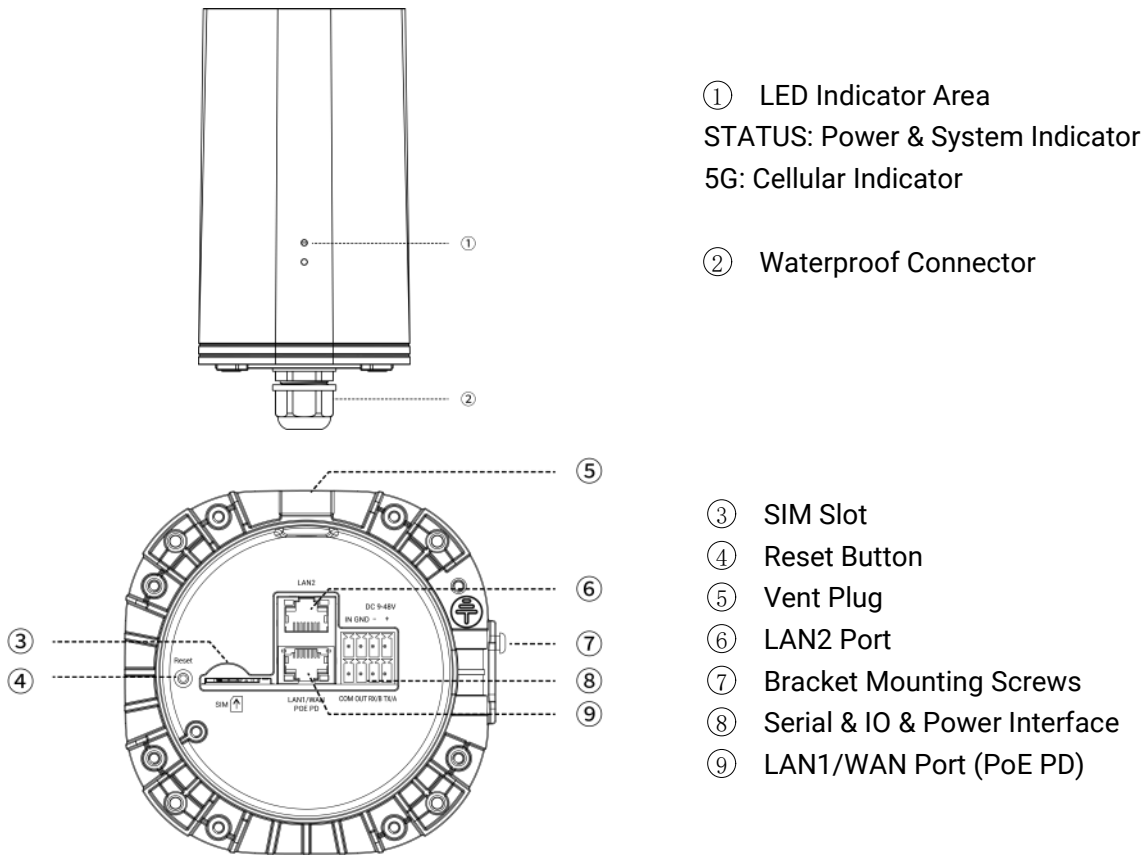
1 × Warranty Card



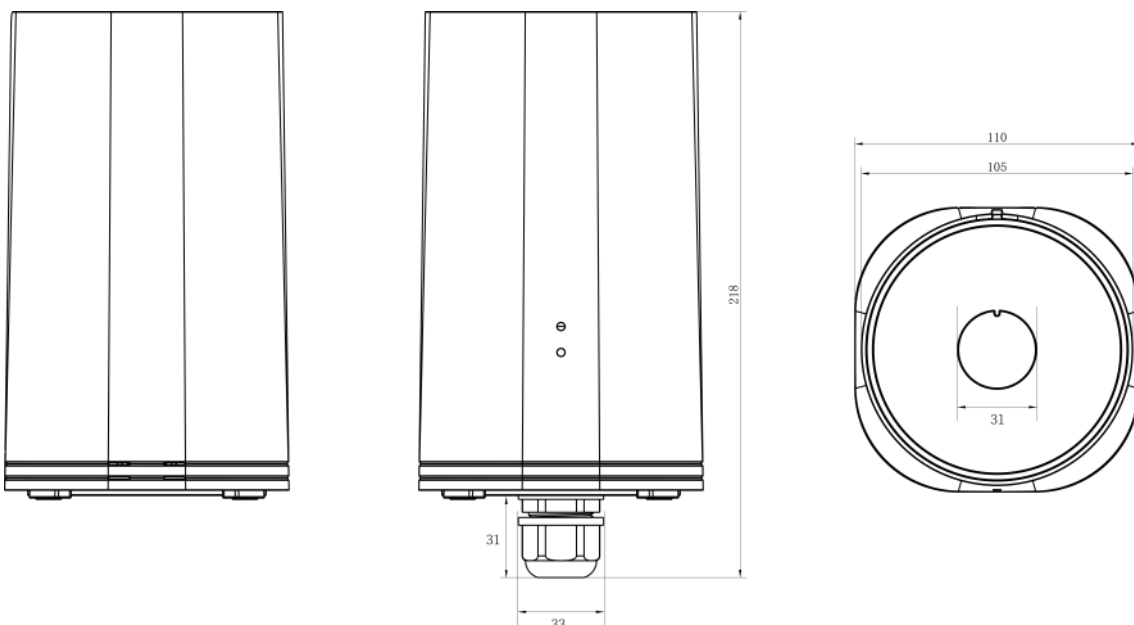
If any of the above items is missing or damaged, please contact your sales representative.

2. Hardware Introduction

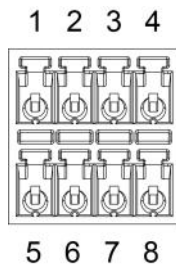
2.1 Overview



2.2 Dimensions (mm)



2.3 Serial & IO & Power Pinouts



PIN	RS232 /RS485	DI	DO	Power	Description
1	---	IN	---	---	Digital Input
2	GND	GND	---	---	Ground
3	---	---	---	(-)	Negative
4	---	---	---	(+)	Positive (9-48V)
5	---	---	COM	---	Common Ground
6	---	---	OUT	---	Digital Output
7	RXD/B	---	---	---	RS232-RXD RS485-B
8	TXD/A	---	---	---	RS232-TXD RS485-A

2.4 LED Indicators

LED	Indication	Status	Description
STATUS	Power & System Status	Off	The power is switched off
		Orange	Static: The system is startup
		Green	Static: The system is running properly
		Red	Static: The system goes wrong
5G	Cellular Status	Off	SIM card is registering or fails to register (or there are no SIM cards inserted)
		Green	Blinking slowly: SIM card has been registered and is ready for dial-up
			Blinking rapidly: SIM card has been registered and is dialing up now
			Static: SIM card has been registered and dialed up to 5G network
Orange	Static: SIM card has been registered and dialed up to 4G network		
Ethernet Port	Link Indicator (Orange)	Off	Disconnected or connect failure
		On	Connected
		Blinking	Transmitting data
	Rate Indicator (Green)	Off	100 Mbps mode
		On	1000 Mbps mode

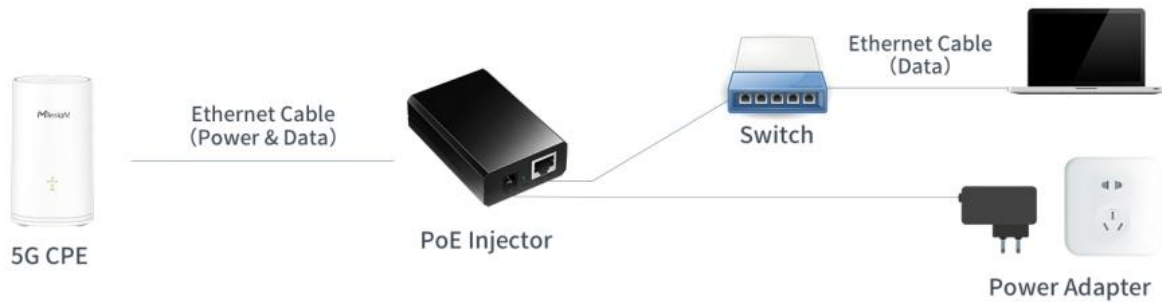
2.5 Reset Button

Function	Description	
	STATUS & 5G LED	Action
Reset	Static	Press and hold the reset button for more than 5 seconds.
	Static → Blinking	Release the button and wait.
	Off → Static Green	The device resets to factory default.

3. Power Supply

UF51 can be powered by 802.3af standard PoE or 9-48VDC. **Both power supplies can't be used at the same time.**

PoE Supply: Follow the below picture to provide power supply via PoE injector. Besides, UF51 can also be powered by PoE switch.

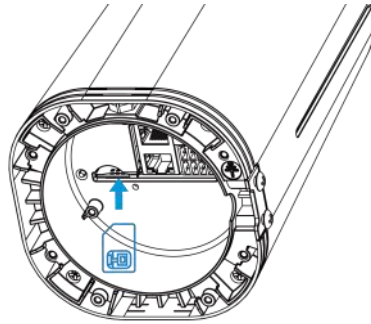


DC Supply: Connect the DC power cable to terminal block, then connect the terminal block to DC interface to power the device.

4. Hardware Installation

4.1 SIM Card Installation

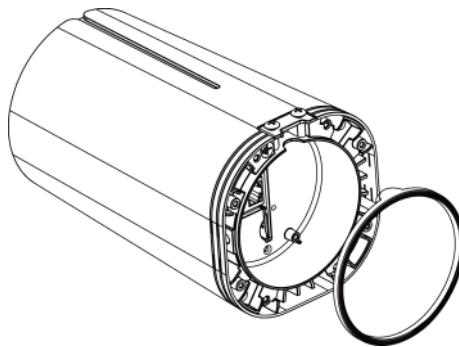
Insert the SIM card into the device according to the direction icon on the device. If you need to take out the SIM card, press into the SIM card and it will pop out automatically.



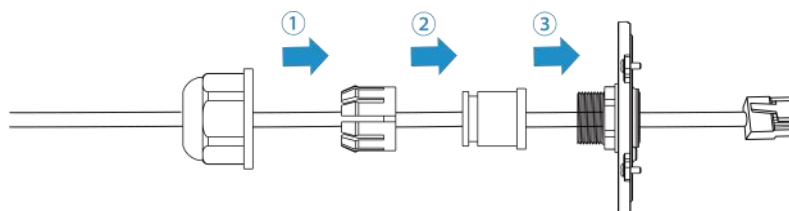
4.2 Waterproof Cover & Ethernet Cable Installation

If you need to use UF51 outdoors, the waterproof cover and cable gland should be installed under the bottom of the device.

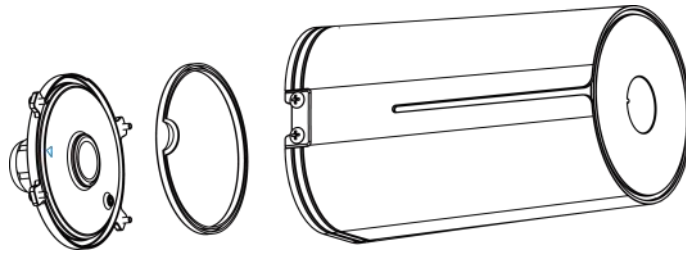
A. Install the rubber ring into the bottom of the device. Note that the round part needs to face the gap of bottom when installing, otherwise it may cause waterlogged.



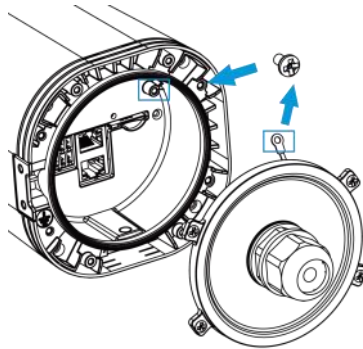
B. Connect a round Ethernet cable to LAN1/WAN port, then pass the Ethernet cable through all parts of the cable gland and the bottom cover.



C. Fix the bottom cover to the bottom of the device with 4 screws. Note that the arrow behind the cover needs to face the bracket mounting screws.



Note: Bottom cover can be fixed with the device via the wiring behind the cover.



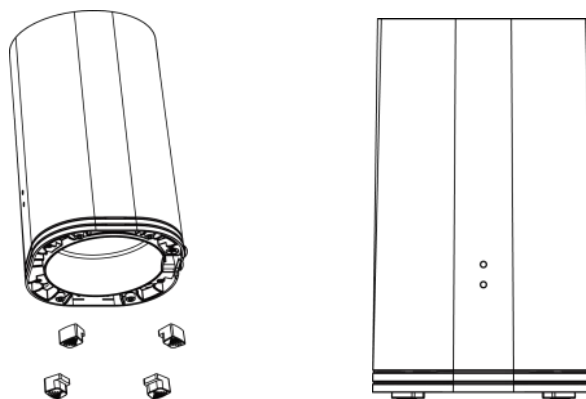
4.3 Device Installation

UF51 supports multiple installation methods like desktop, wall mounting, pole mounting, etc. Before you start, make sure that your SIM card has been inserted and all cables have been installed.

Note: Do not connect device to power supply or other devices when installing.

4.3.1 Desktop

When using indoors, pile 4 rubber feet into the gaps at the bottom of the device. The rough surface of rubber feet should face desktop.



4.3.2 Wall Mounting

Preparation: mounting bracket(with 2 screws), wall plugs, wall mounting screws and other required tools.

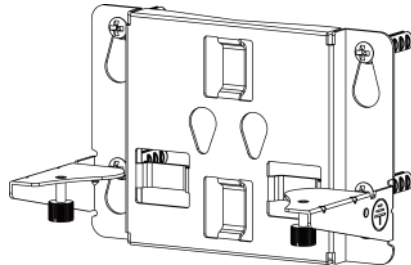
A. Align the mounting bracket horizontally to the desired position on the wall, use a marker pen to mark four mounting holes on the wall, and then remove the mounting bracket from the wall.

Note: The connecting lines of adjacent points are at right angles.

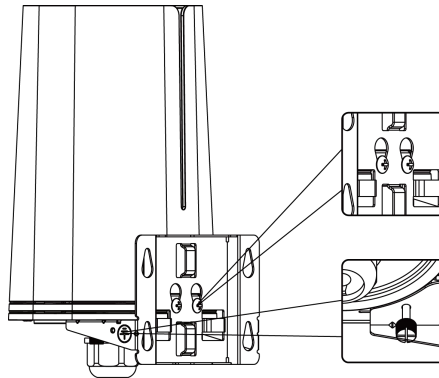
B. Drill four holes with a depth of 32 mm by using your drill with a 6 mm drill bit on the positions you marked previously on the wall.

C. Insert four wall plugs into the holes respectively.

D. Mount the mounting bracket horizontally to the wall by fixing the wall mounting screws into the wall plugs.



E. Hang the device to the mounting bracket via bracket mounting screws on the back of device, then screw the 2 bracket screws to the bottom of the device.



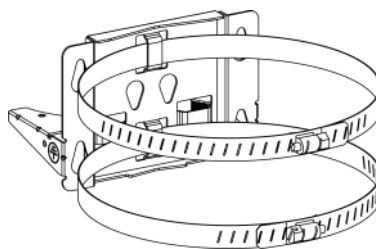
4.3.3 Pole Mounting

Preparation: mounting bracket(with 2 screws), hose clamps and other required tools.

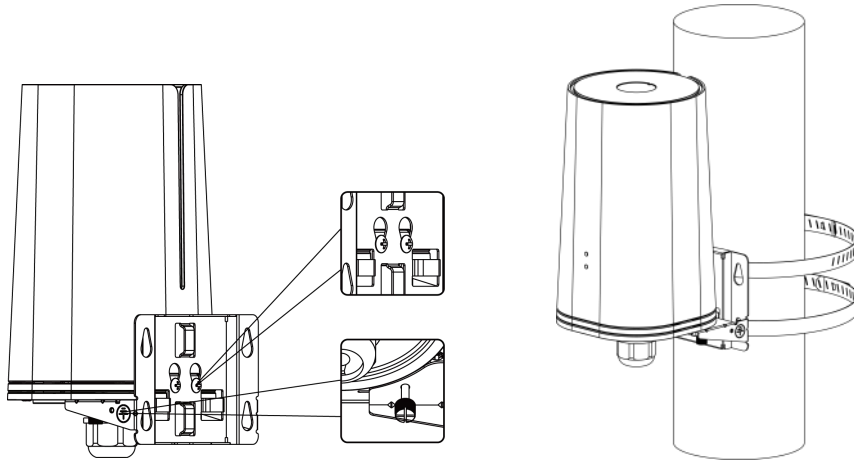
A. Loosen the hose clamp by turning the locking mechanism counter-clockwise.

B. Straighten out the hose clamp and slide it through the rectangular rings in the mounting bracket, wrap the hose clamp around the pole.

C. Use a screwdriver to tighten the locking mechanism by turning it clockwise.



D. Hang the device to the mounting bracket via bracket mounting screws on the back of device, then screw the 2 bracket screws to the bottom of the device.



5. Log in the Web GUI

UF51 provides web-based configuration interface for management. If this is the first time you configure the device, please use the default settings below:

IP Address: **192.168.1.1**

Username: **admin**

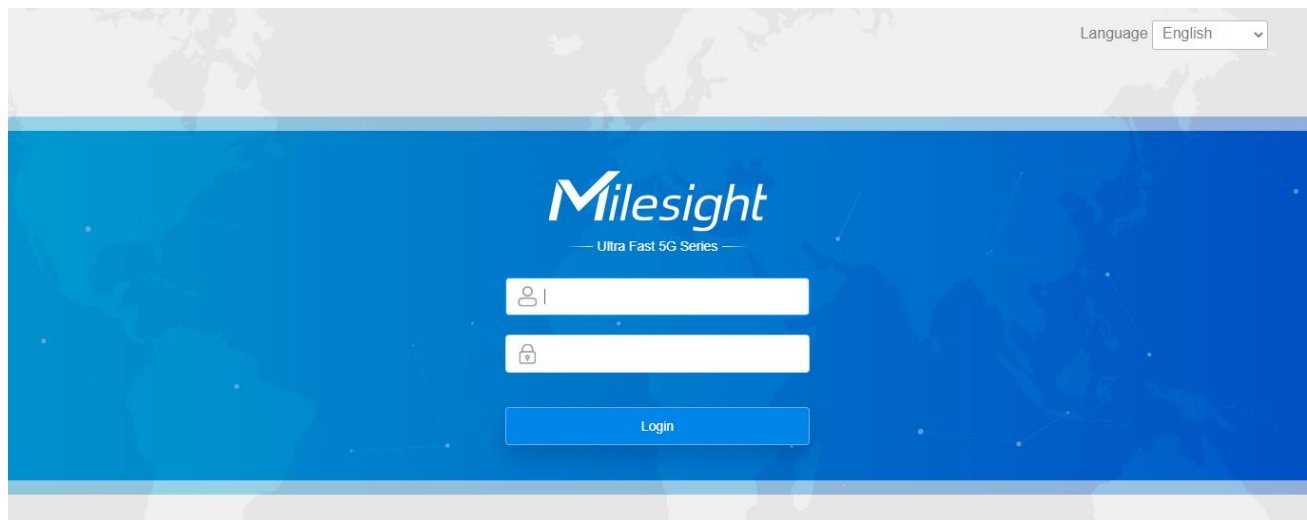
Password: **password**

5.1 Wireless Access

A. Enable Wireless Network Connection on your computer and search for access point "**Router_*******" to connect it.

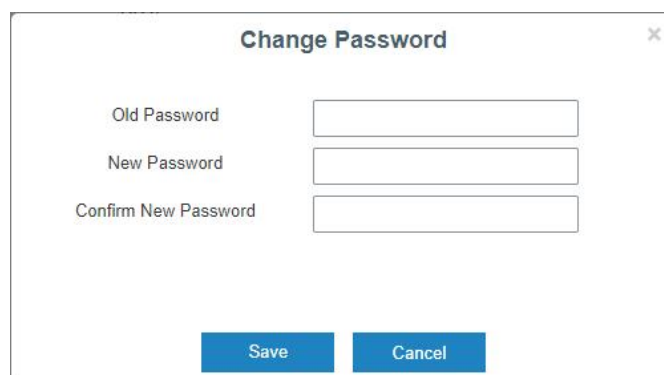
B. Open a Web browser on your PC (Chrome is recommended) and type in the IP address **192.168.1.1** to access the web GUI.

C. Enter the username and password, and click "Login".



⚠ If you enter the username or password incorrectly more than 5 times, the login page will be locked for 10 minutes.

D. When you login with the default username and password, you will be asked to modify the password. It's suggested that you change the password for the sake of security. Click "Cancel" button if you want to modify it later.



E. After you login the Web GUI, you can view system information and perform configuration on the device.

The screenshot displays the Milesight Web GUI interface. At the top, there is a navigation bar with the Milesight logo and a user profile for 'admin'. Below the navigation bar, there is a warning message: "For your device security, please change the default password". The main content area is divided into several sections:

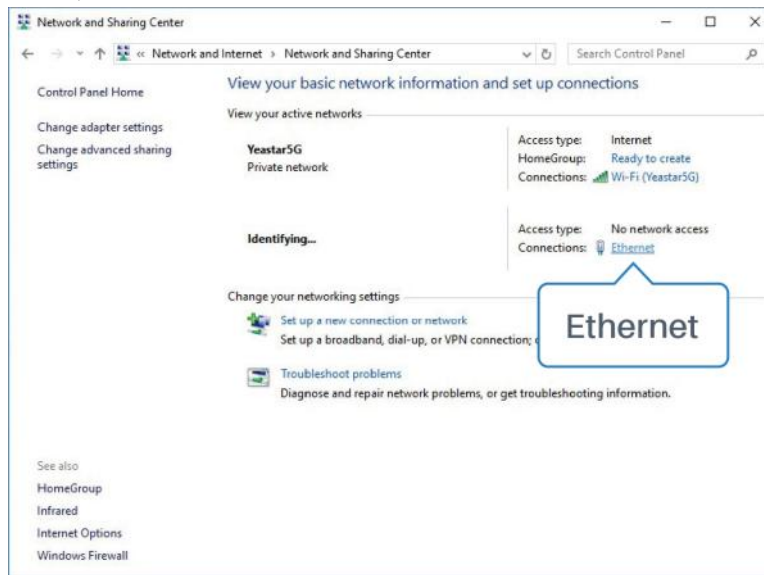
- System Information:**
 - Model: UF51-501EU
 - Serial Number: 6901B1901925
 - Firmware Version: 76.2.0.2
 - Hardware Version: V1.0
- System Status:**
 - Local Time: 2021-07-28 10:44:44 Wednesday
 - Uptime: 1days, 13:57:19
 - CPU Load: 7%
 - RAM (Available/Capacity): 215MB/512MB(41.99%)
 - Flash (Available/Capacity): 2911MB/4096MB(71.07%)
- Cellular:**
 - Status: Ready, 5G NR
 - IPv4: 10.2.25.72/28
 - IPv6: fe80::7cf3:90ff:fe33:6151/64
 - Connection Duration: 0 days, 23:05:19
- WAN:**
 - Status: Online
 - IPv4: 192.168.22.213/24
 - IPv6: fe80::26e1:24ff:fe11:e38d/64
 - MAC: 24:e1:24:f1:...

On the right side, there is a "Help" sidebar with various sections like Model, Serial Number, Firmware Version, Hardware Version, Local Time, Uptime, and CPU Load, each with a brief description of what it shows.

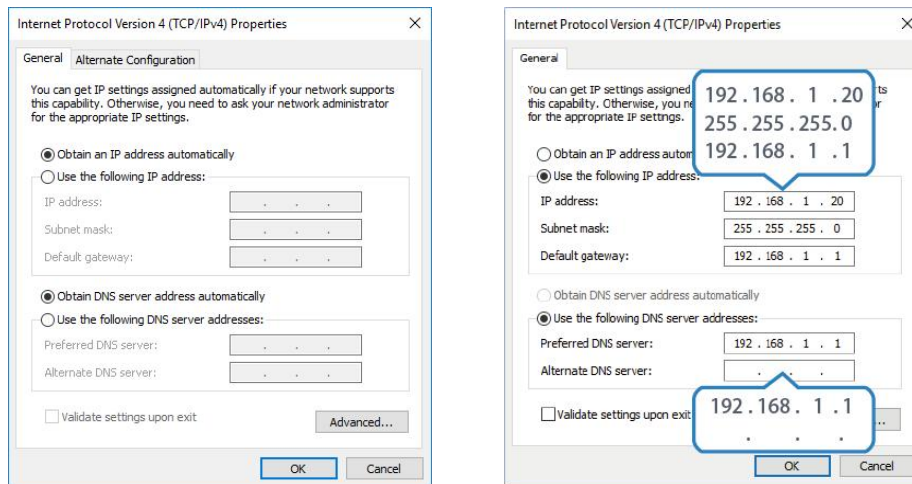
5.2 Wired Access

Connect PC to LAN port of UF51 directly. The following steps are based on Windows 10 operating system for your reference.

A. Go to "Control Panel" → "Network and Internet" → "Network and Sharing Center", then click "Ethernet" (May have different names).

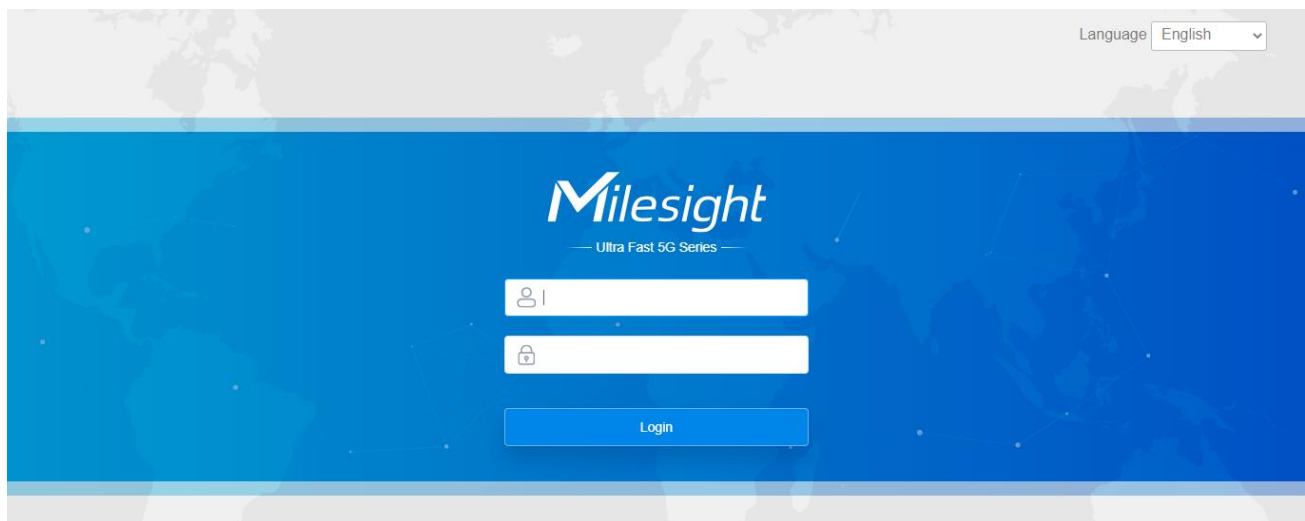


B. Go to "Properties" → "Internet Protocol Version 4(TCP/IPv4)", select "Obtain an IP address automatically" or "Use the following IP address", then assign a static IP manually within the same subnet of the device.



C. Open a Web browser on your PC (Chrome is recommended), type in the IP address 192.168.1.1, and press Enter on your keyboard.

D. Enter the username, password, and click "Login".



! If you enter the username or password incorrectly more than 5 times, the login page will be locked for 10 minutes.

E. When you login with the default username and password, you will be asked to modify the password. It's suggested that you change the password for the sake of security. Click "Cancel" button if you want to modify it later.

Change Password

Old Password

New Password

Confirm New Password

Save Cancel

F. After you login the Web GUI, you can view system information and perform configuration on the device.

The screenshot displays the Milesight Web GUI interface. At the top, there is a navigation bar with the Milesight logo on the left and a user profile 'admin' on the right. Below the navigation bar, a warning message reads: "For your device security, please change the default password!". The main content area is divided into several sections:

- Overview:** Contains a "GPS" section.
- System Information:** Lists device details:
 - Model: UF51-501EU
 - Serial Number: 6901B1901925
 - Firmware Version: 76.2.0.2
 - Hardware Version: V1.0
- System Status:** Displays operational metrics:
 - Local Time: 2021-07-28 10:44:44 Wednesday
 - Uptime: 1days, 13:57:19
 - CPU Load: 7%
 - RAM (Available/Capacity): 215MB/512MB(41.99%)
 - Flash (Available/Capacity): 2911MB/4096MB(71.07%)
- Cellular:** Shows a "Link in use" status with a signal strength indicator.
 - Status: Ready, 5G NR
 - IPv4: 10.2.25.72/28
 - IPv6: fe80::7cf3:90ff:fe33:6151/64
 - Connection Duration: 0 days, 23:05:19
- WAN:** Shows network connectivity details:
 - Status: Online
 - IPv4: 192.168.22.213/24
 - IPv6: fe80::26e1:24fffef1:e38d/64
 - MAC: 24:e1:24:f1

On the right side, there is a "Help" sidebar with a list of items and their descriptions:

- Model:** Show the model name of router.
- Serial Number:** Show the serial number of router.
- Firmware Version:** Show the current firmware version of router.
- Hardware Version:** Show the current hardware version of router.
- Local Time:** Show the current local time of system.
- Uptime:** Show the information on how long the router has been running.
- CPU Load:** Show the current CPU utilization of the router.

At the bottom right of the WAN section, there is a "Manual Refresh" dropdown menu and a "Refresh" button.

6. Network Configuration

This chapter explains how to connect UF51 to network via WAN connection, Wi-Fi or cellular.

6.1 Ethernet WAN Configuration

A. Go to “Network > Interface > WAN” to select connection type and configure WAN parameters, click “Save & Apply” button to make the changes take effect.

B. Connect WAN port to another network devices like modem.

C. Go to “Network > Interface > Link Failover” to rise the WAN priority to 1.

D. Open your preferred browser on PC, then type any available web address into address bar and see if it is able to visit Internet via UF51.

Priority	Enable Rule	Link in use	Interface	Connection Type	IP	Operation
1	<input checked="" type="checkbox"/>	●	WAN	Static	192.168.22.213	
2	<input checked="" type="checkbox"/>	●	Cellular	DHCP	10.2.25.72	
3	<input checked="" type="checkbox"/>	●	WLAN-2.4G	DHCP	192.168.3.147	

6.2 Cellular Connection Configuration

A. Go to “Network > Interface > Cellular > Cellular Setting” to configure APN, PIN code or other cellular info, click “Save” and “Apply” to save the configuration.

Link Failover	Cellular	Port	WAN	Bridge
Cellular Settings				
Protocol Type	IPv4			
APN				
Username				
Password				
PIN Code				
Access Number				
Authentication Type	Auto			
Network Type	Auto			
SMS Center				
Enable NAT	<input checked="" type="checkbox"/>			
Roaming	<input checked="" type="checkbox"/>			

B. Go to “Network > Interface > Link Failover” to enable Cellular and rise link priority.

Link Failover	Cellular	Port	WAN	Bridge	WLAN	Switch	Loopback
Link Priority							
Priority	Enable Rule	Link in use	Interface	Connection Type	IP	Operation	
1	<input checked="" type="checkbox"/>	●	Cellular	DHCP	10.2.25.72		
2	<input checked="" type="checkbox"/>	●	WLAN-2.4G	DHCP	192.168.3.147		
3	<input checked="" type="checkbox"/>	●	WAN	Static	192.168.22.213		

C. Click  to configure ICMP ping detection information.

Ping Detection	
Enable	<input checked="" type="checkbox"/>
IPv4 Primary Server	8.8.8.8
IPv4 Secondary Server	114.114.114.114
IPv6 Primary Server	2001:4860:4860::8888
IPv6 Secondary Server	2400:3200::1
Interval	300 s
Retry Interval	5 s
Timeout	3 s
Max Ping Retries	3

D. Click “Status > Cellular” to view the status of the cellular connection. If it shows “Connected”, it means SIM1 has dialed up successfully. On the other hand, you can check the status of indicator. If it keeps light up statically, it means the SIM has dialed up successfully.

Overview	Cellular	Network	WLAN	VPN	Routing	Host List	GPS
Modem		Network					
Status	Ready	Status	Connected				
Model	RG500Q-EA	IPv4 Address	10.2.25.72/28				
Version	RG500QEAAAR11A02M4G	IPv4 Gateway	10.2.25.73				
Signal Level	31asu (-51dBm)	IPv4 DNS	211.136.17.107				
Register Status	Registered (Home network)	IPv6 Address	fe80::7cf3:90ff:fe33:6151/64				
IMEI	866897040051965	IPv6 Gateway	::				
IMSI	460045927703652	IPv6 DNS	::				
ICCID	89860439101880723652	Connection Duration	1 days, 06:05:30				
ISP	CHINA MOBILE	Data Usage Monthly					
Network Type	LTE	RX	2.4 MiB				
PLMN ID	46000	TX	13.8 MiB				
LAC	592F	All	16.3 MiB				
			Manual Refresh ▾		Refresh		

E. Open your preferred browser on PC, then type any available web address into address bar and see if it is able to visit Internet via UF51.

6.3 Wi-Fi Configuration

A. Go to “Network” → “Interface” → “WLAN” and select “Client” mode.

B. Click “Scan” to search for Wi-Fi access point. Select the available one and click “Join Network”.

Link Failover	Cellular	Port	WAN	Bridge	WLAN	Switch	Loopback
Gateway_F1B88F	6	-83dBm	Auto	24:E1:24:F1:B8:8F	No Encryption	2437MHz	Join Network
Gateway_F161F2	6	-88dBm	Auto	24:E1:24:F1:61:F2	No Encryption	2437MHz	Join Network
22-28-wifi-test	6	-79dBm	Auto	24:E1:24:F1:20:BD	No Encryption	2437MHz	Join Network
Gateway_F128C1	6	-66dBm	Auto	24:E1:24:F1:28:C1	No Encryption	2437MHz	Join Network

C. Type the key of Wi-Fi.

Link Failover Cellular Port WAN Bridge **WLAN**

WLAN1-2.4G

Enable

Work Mode Client

SSID Milesight_HW

BSSID 24:31:54:83:6E:C8

Encryption Mode WPA2-PSK

Cipher AES

Key

IP Setting

Protocol DHCP Client

D. Go to "Network" → "Interface" → "Link Failover" to enable WLAN.

Link Failover Cellular Port WAN Bridge WLAN Switch Loopback

Link Priority

Priority	Enable Rule	Link in use	Interface	Connection Type	IP	Operation
1	<input checked="" type="checkbox"/>	<input type="radio"/>	WLAN-2.4G	DHCP	192.168.3.147	<input type="button" value="Edit"/> <input type="button" value="Up"/> <input type="button" value="Down"/>
2	<input checked="" type="checkbox"/>	<input checked="" type="radio"/>	Cellular	DHCP	10.2.25.72	<input type="button" value="Edit"/> <input type="button" value="Up"/> <input type="button" value="Down"/>
3	<input checked="" type="checkbox"/>	<input type="radio"/>	WAN	Static	192.168.22.213	<input type="button" value="Edit"/> <input type="button" value="Up"/> <input type="button" value="Down"/>

E. Go to "Status" → "WLAN" to check Wi-Fi status. If it shows "Connected", it means the device connects to Wi-Fi successfully.

Overview Cellular Network **WLAN** VPN Routing Host List GPS

WLAN Status

Name	Status	Type	SSID	IPv4 Address	IPv6 Address
WLAN-2.4G	Connected	Client	Milesight_HW	192.168.3.147/24	-
WLAN-5G	Running	AP	Router_F1E390_5G	192.168.213.1/24	-

[END]